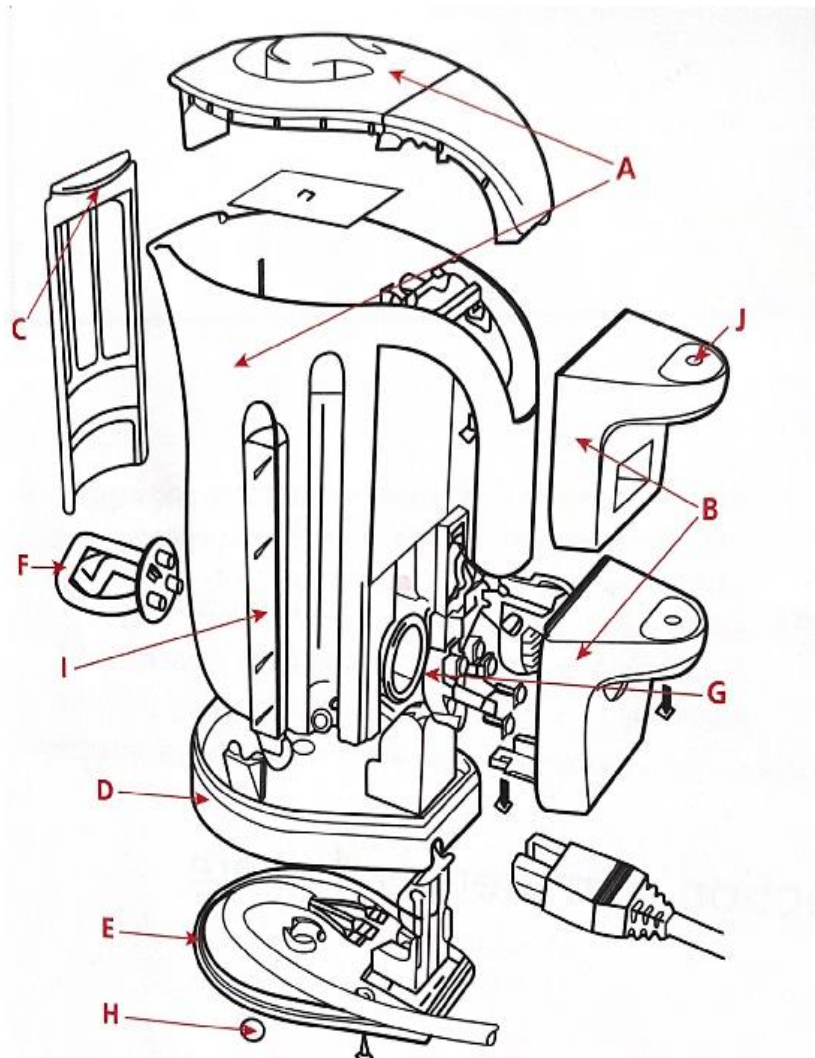


Engineering Pre A-Level work



Below is an exploded drawing of a Russell Hobbs Jug Kettle.



On the following page there is a table which lists the functional performance of materials used. Your task is to complete this table. You may want to redraw the table yourself to fit in all of the information.

Component	Label	Material	Function
Main body kettle	A		
	B		
Water Filter	C	Polypropylene (PP)	<ul style="list-style-type: none"> • Heat resistant • Easy to shape by injection moulding • Can be coloured • Durable
	D		
Internal Base	E		
	F		
	G		
	H		
	I		
ON/Off Switch	J	LED Light in Polycarbonate	